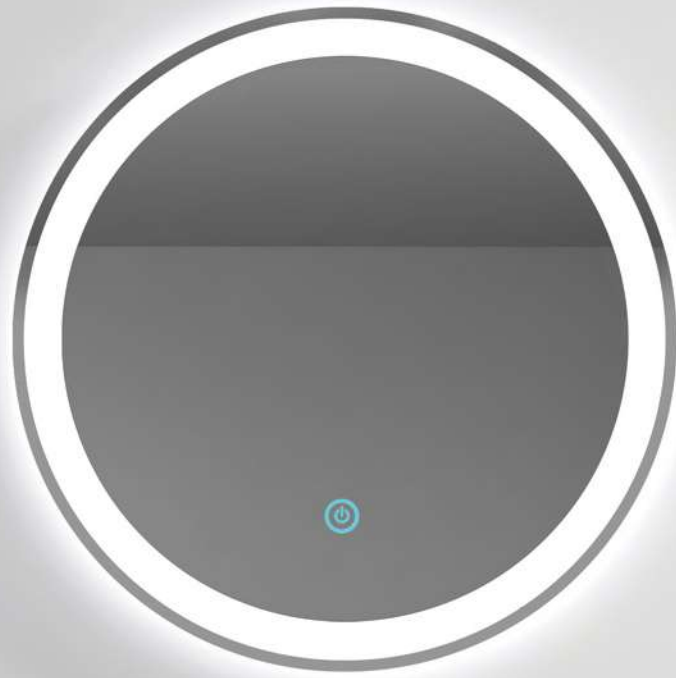




PYP
Accesorios de Baño

Baños con **Corazón** 

CATÁLOGO
espejos baño



Los Espejos de baño no son un elemento más en la concepción de su cuarto de baño, son en sí mismo un elemento diferenciador, con personalidad propia, en el que nos reflejamos todos los días.

Por ello es fundamental tener en cuenta ciertos criterios a la hora de elegir. Desde la forma más idónea al diseño de su baño, al sistema de iluminación propia (led), el tamaño, la orientación a la hora de colocarlo y la posibilidad de variarla, así como la certeza de adquirir un producto que ha superado las pruebas de seguridad en laboratorios de prestigio y han obtenido su correspondiente certificado.

Además la tranquilidad de poseer un producto libre de cobre*, cumpliendo así la normativa europea y contribuyendo a proteger el medio ambiente.



* **LIBRE DE COBRE:** Las características de este proceso son: gran resistencia a la humedad y a la corrosión, resistencia a una amplia gama de productos químicos domésticos. Una mayor opacidad que un espejo convencional y una mayor resistencia a la aparición del óxido (contenido de plomo inferior a 40 ppm).

PYP
Accesorios
de Baño



Baños con **Corazón**



colección
HOLLY
7 / 11



colección
KYSA
15



colección
SLIM
19 / 23



colección
MIRKO
27 / 31



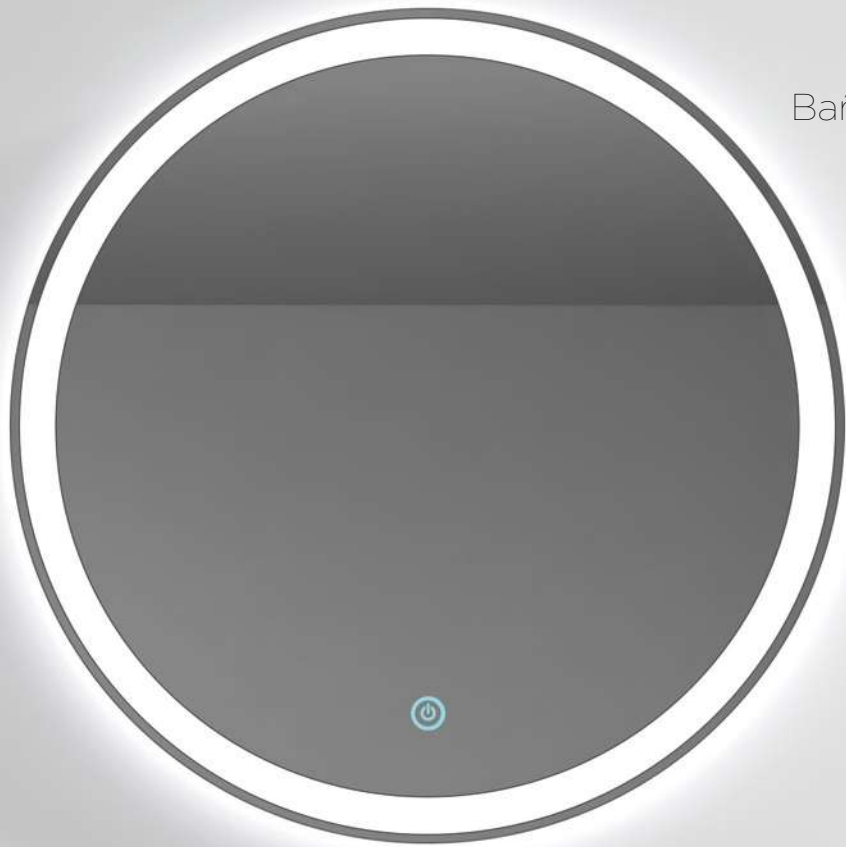
Apliques
34



Certificados
37







colección
HOLLY



colección HOLLY

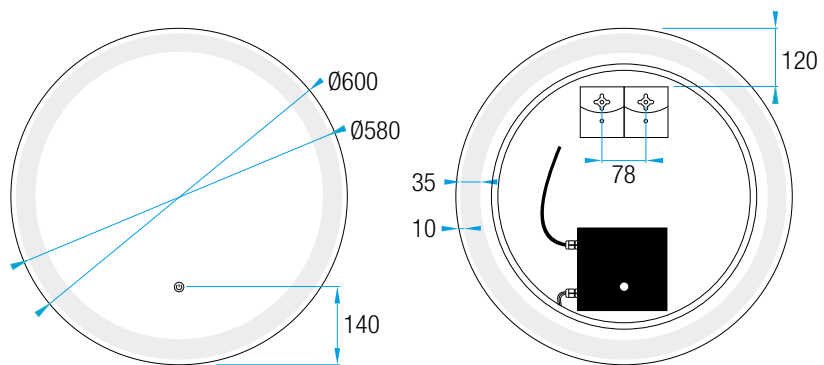
CARACTERÍSTICAS:

Espejo Baño Led con Sensor
Tipo LED 2835
60 leds por metro
Luz blanca (6500K)
CRI 85
IP44
Hz 50
Vida útil del led 20000 h



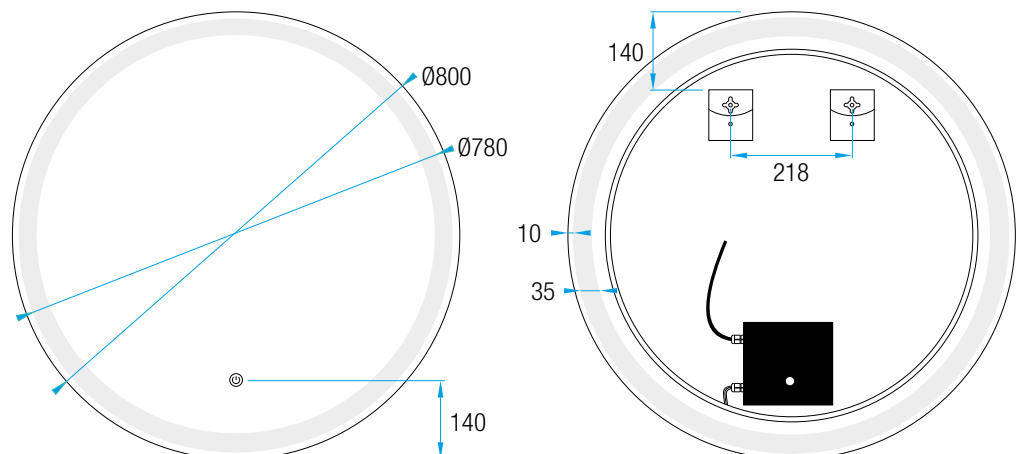
ESP01 HOLLY Ø 60 cm

Potencia 220V-9W
Lúmenes 900
PVP 100 € + IVA



ESP05 HOLLY Ø 80 cm

Potencia 220V-12W
Lúmenes 1300
PVP 140 € + IVA

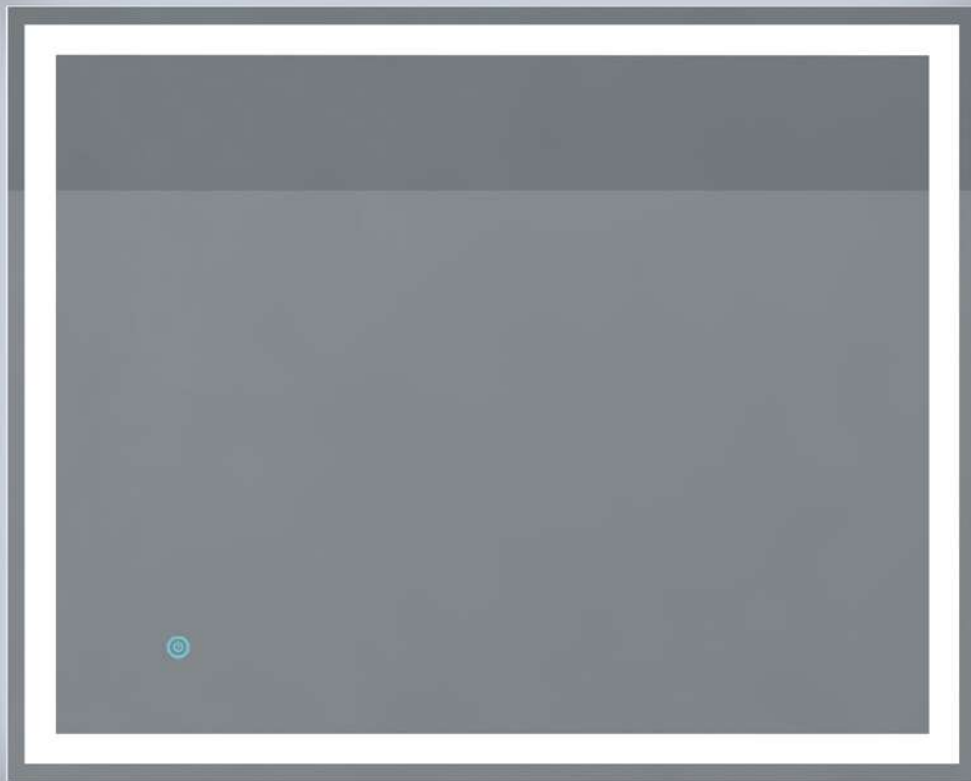




Baños con **Corazón** 
Made in Spain

PvP Accesorios de Baño





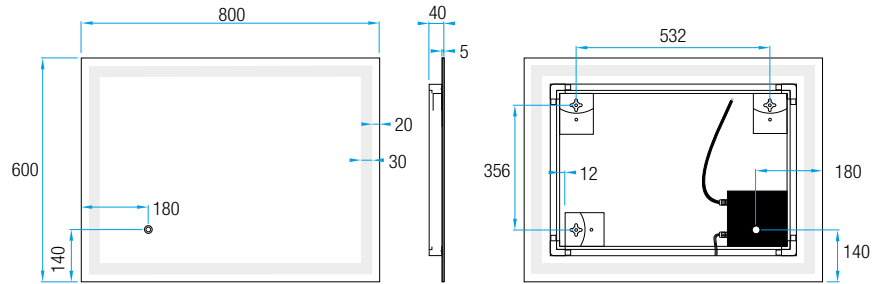
colección
HOLLY



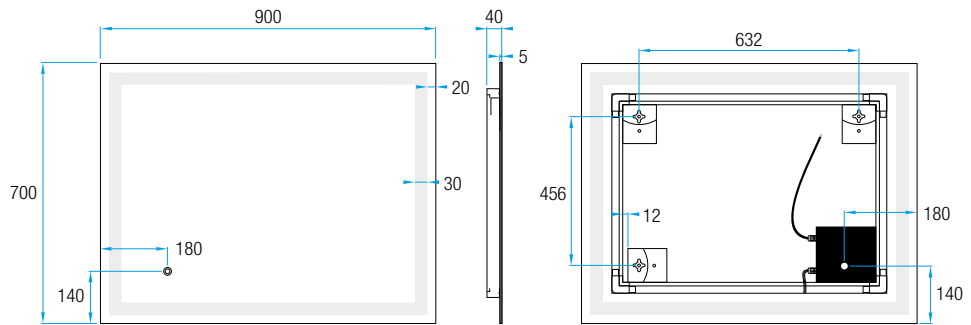
CARACTERÍSTICAS:

Espejo Baño Led con Sensor CRI 85
 Tipo LED 2835 IP44
 60 leds por metro Hz 50
 Luz blanca (6500K) Grosor cristal 5 mm
 Vida útil del led 20000 h Instalación: horizontal y vertical

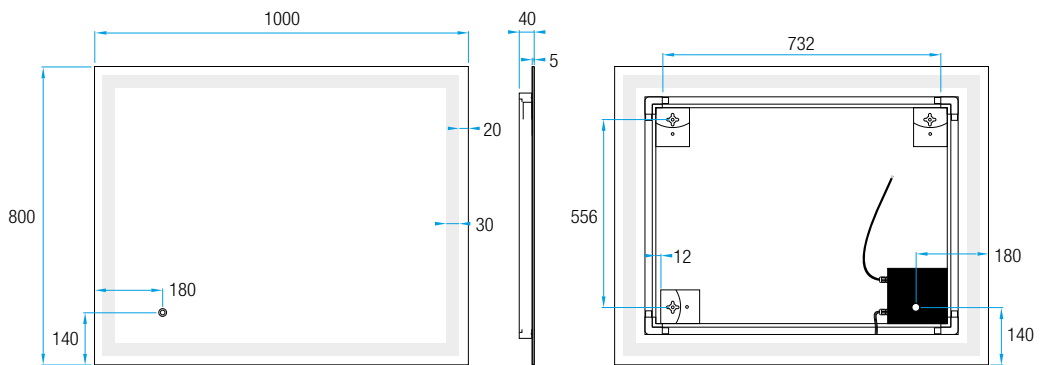
ESP02
HOLLY 80 x 60 cm
Potencia 220V-13W
Lúmenes 1400
PVP 130 € + IVA



ESP03
HOLLY 90 x 70 cm
Potencia 220V-15W
Lúmenes 1700
PVP 140 € + IVA

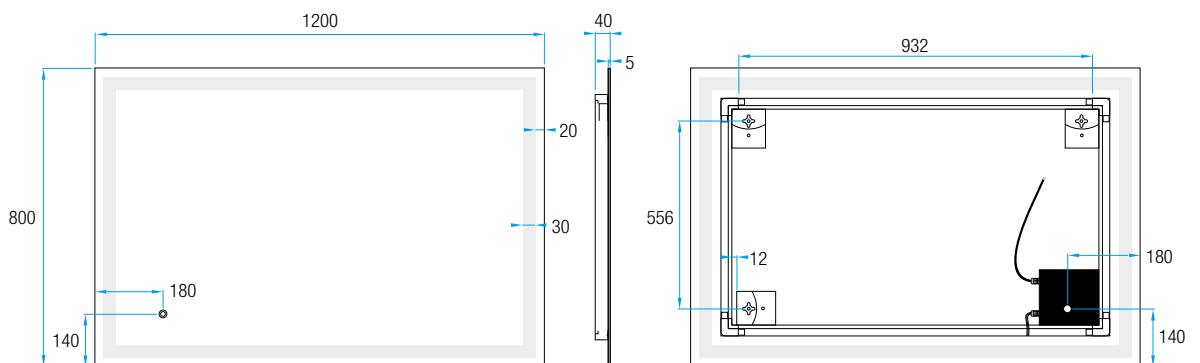


ESP04
HOLLY 100 x 80 cm
Potencia 220V-17W
Lúmenes 1900
PVP 150 € + IVA



NOVEDAD
Fecha aproximada
de stock 15/01/2022

ESP04
HOLLY 120 x 80 cm
Potencia 220V-18W
Lúmenes 2200
PVP 190 € + IVA







colección
KYSA

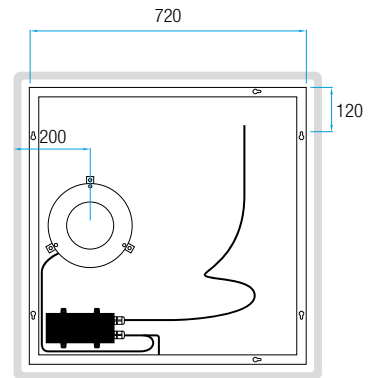
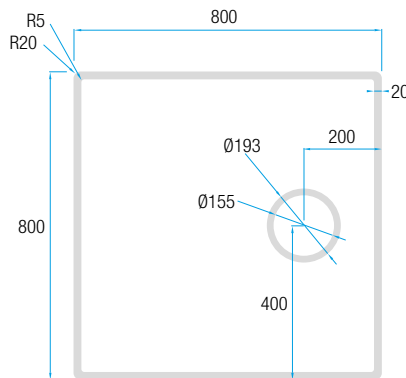
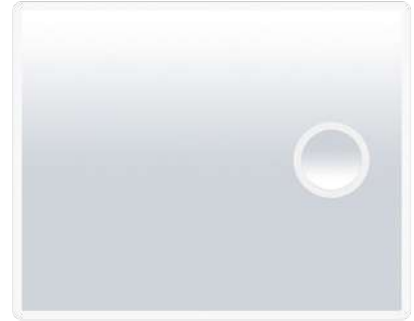
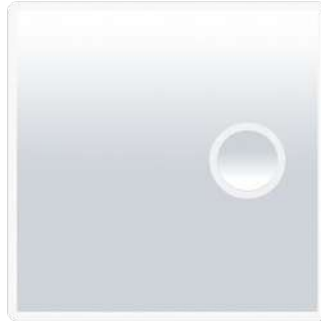


colección KYSA



CARACTERÍSTICAS:

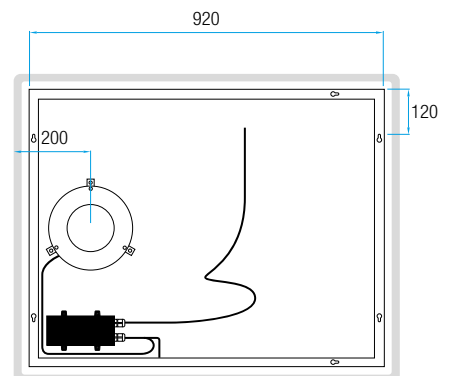
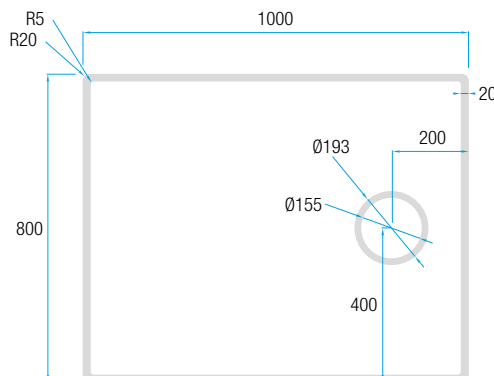
Espejo Baño Led + Espejo aumento x5
 Tipo LED 2835
 60 leds por metro
 Luz blanca (6500K)
 CRI 85
 IP44
 Hz 50
 Vida útil del led 20000 h
 Esquinas y biselado romo
 Conexión directa
 Marco Aluminio



ESPO8 KYSA 80 x 80 cm

Potencia 220V-21W
 Lúmenes:
 Espejo 1800
 Espejo aumento 400

PVP 165 € + IVA



ESPO9 KYSA 100 x 80 cm

Potencia 220V-23W
 Lúmenes:
 Espejo 2100
 Espejo aumento 400
 Instalación:
 horizontal y vertical

PVP 200 € + IVA

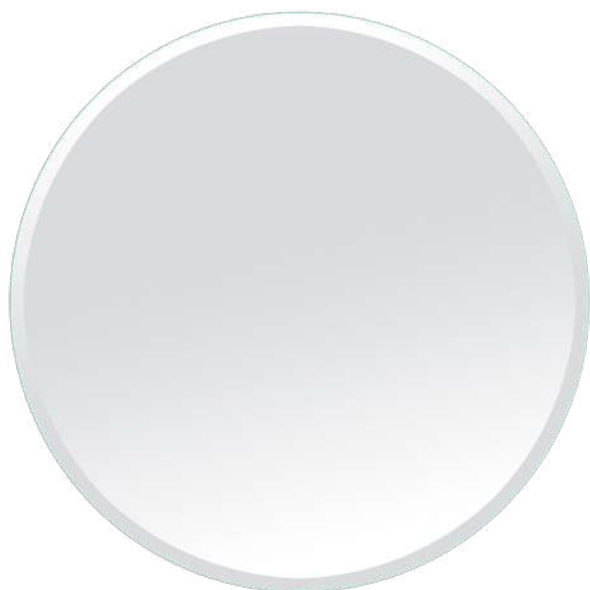




colección
SLIM

Baños con **Corazón** 



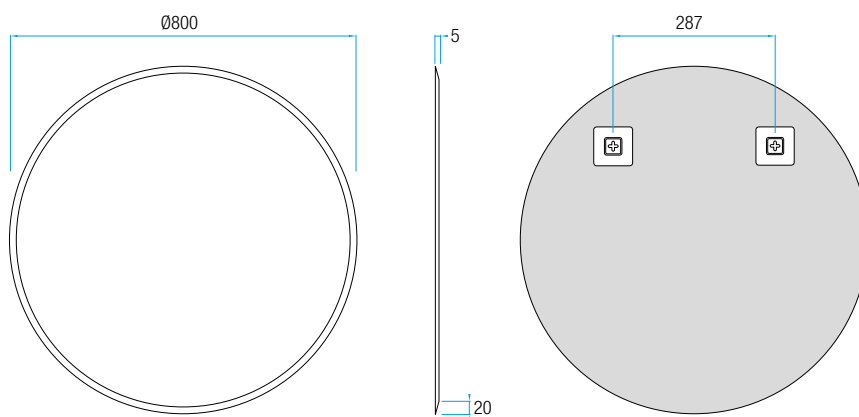


colección SLIM



ESP12 / SLIM Ø 80 cm

Espejo Baño Circular
Grosor cristal 5 mm
Sin cobre
Biselado de 20 mm
Soportes para instalar
PVP 39 € + IVA







colección
SLIM

Baños con **Corazón** 

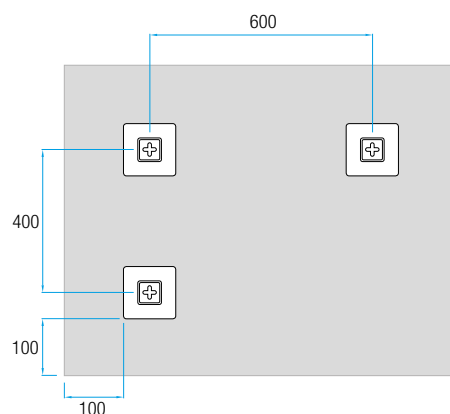
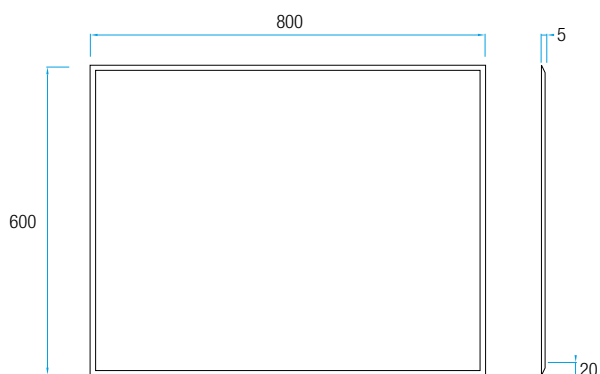


colección SLIM



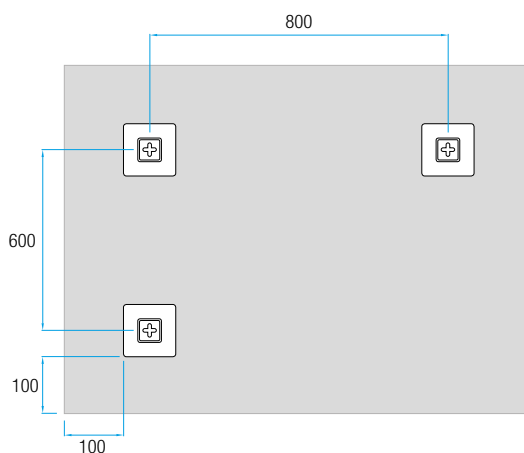
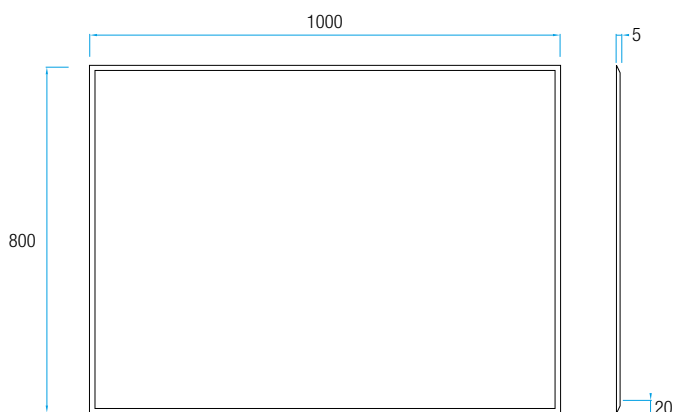
CARACTERÍSTICAS:

Espejo Baño
Grosor cristal 5 mm
Sin cobre
Biselado de 20 mm
Instalación: horizontal y vertical



ESP10 / SLIM 80 x 60 cm

PVP 29 € + IVA



ESP11 / SLIM 100 x 80 cm

PVP 47 € + IVA

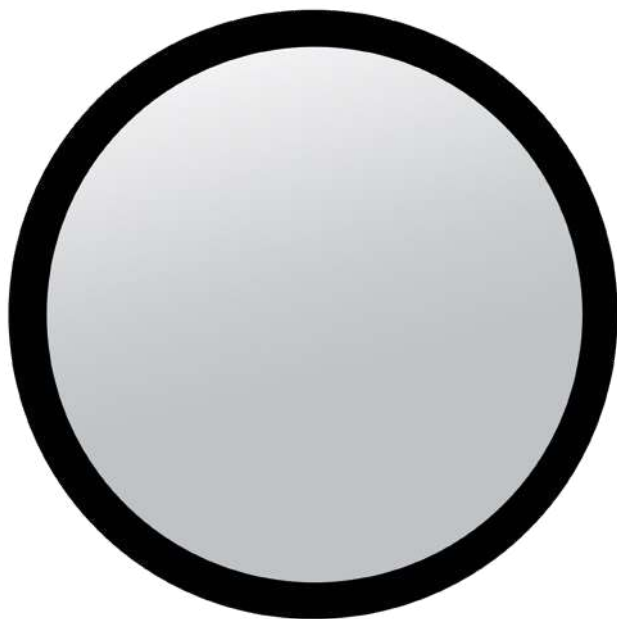






colección
MIRKO





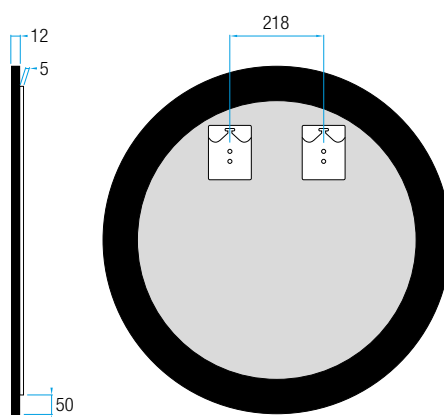
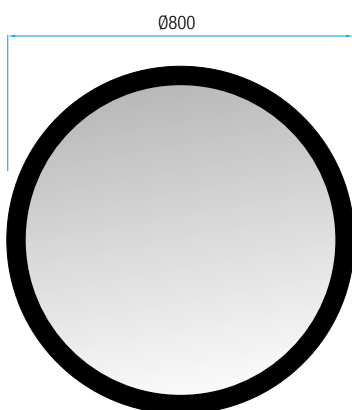
colección MIRKO



ESP06
MIRKO Ø 80 cm

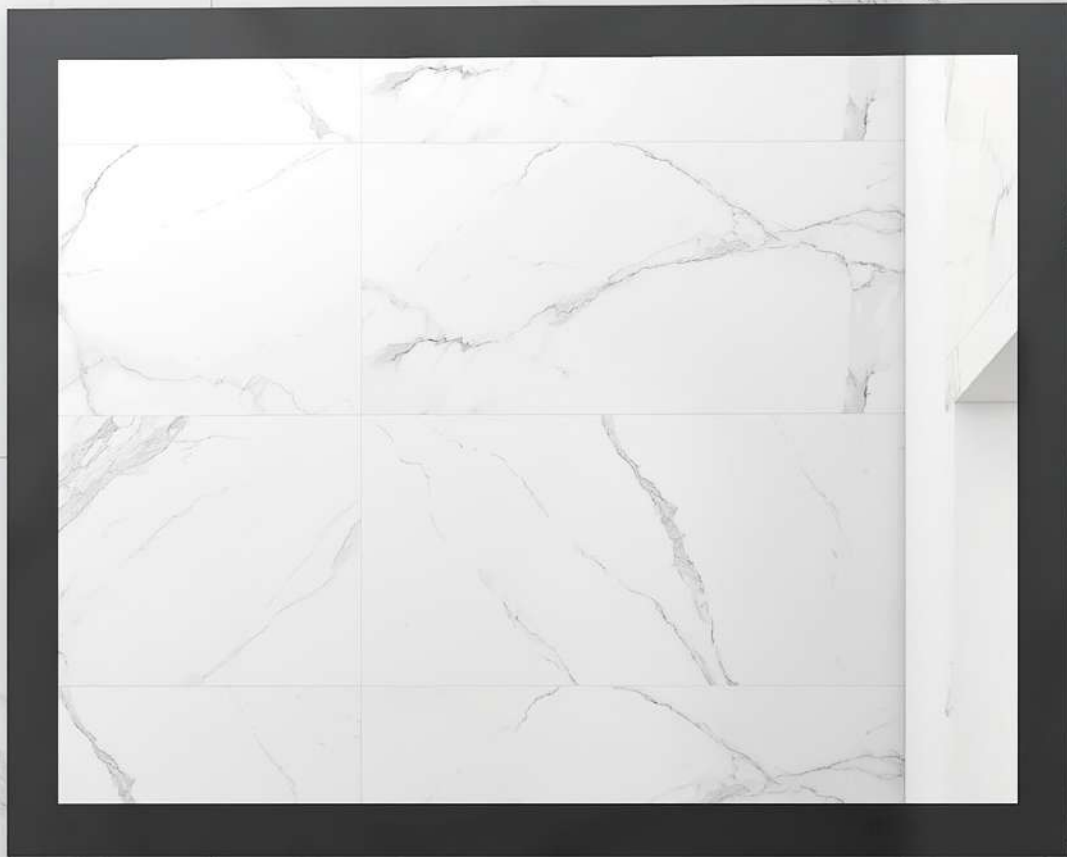
Marco 5 x 1,2 cm
MDF Lacado Negro Mate
Espejo Baño
Grosor cristal 5 mm
Sin cobre

PVP 85 € + IVA



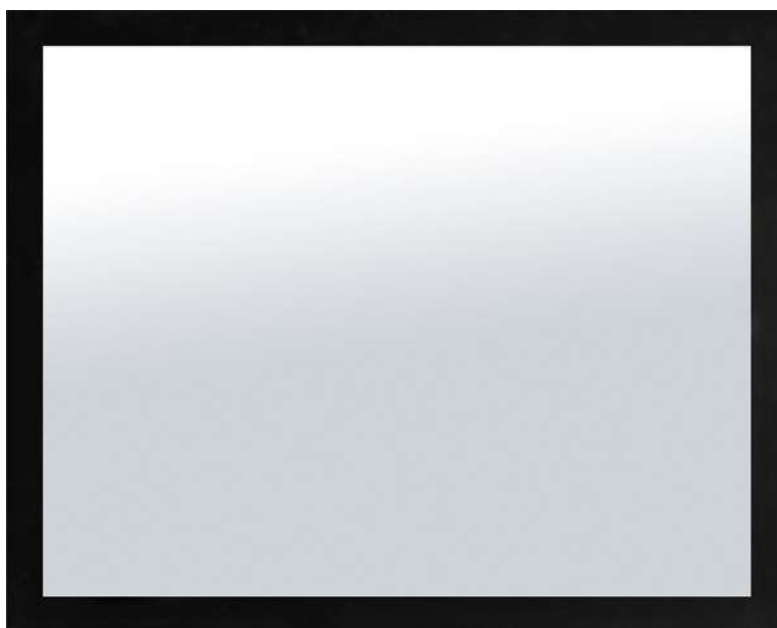






colección
MIRKO





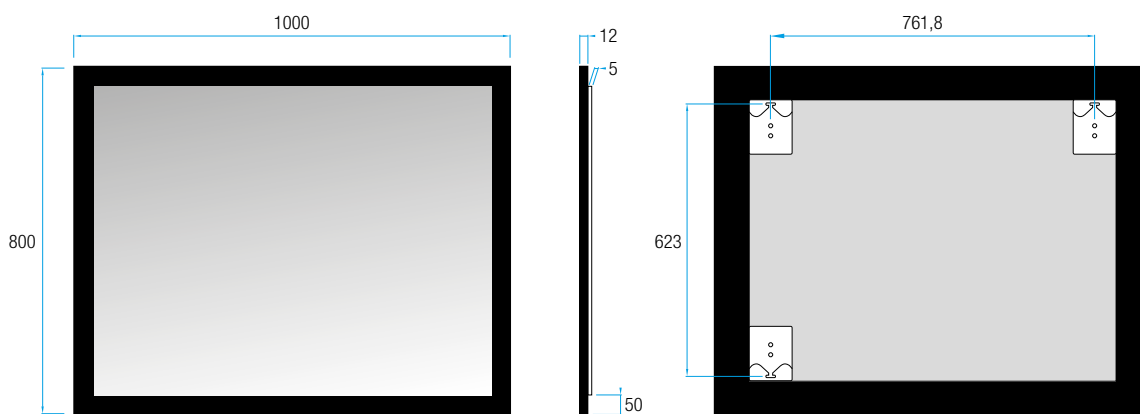
colección MIRKO



ESP07 MIRKO 100 x 80 cm

Marco 5 x 1,2 cm
MDF Lacado Negro Mate
Espejo Baño
Grosor cristal 5 mm
Sin cobre
Instalación:
horizontal y vertical

PVP 95 € + IVA







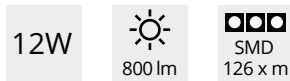
APLIQUES ESPEJO



ref. 364/60 cm

Potencia 12W
Flujo luminoso (Lúmenes)
800 lm
Dimensiones: 60 x 4,5 x 11 cm
SMD 126 leds por metro
CRI≥80*

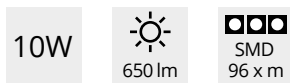
PVP 39 € + IVA



ref. 363/40 cm

Potencia 10W
Flujo luminoso (Lúmenes) 650 lm
Dimensiones: 40 x 4,5 x 11 cm
SMD 96 leds por metro
CRI≥80*

PVP 32 € + IVA

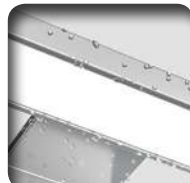


*El CRI, o índice de reproducción cromática, es una medida de la capacidad que una fuente luminosa tiene para reproducir fielmente los colores de varios objetos en comparación con una fuente de luz natural o ideal. Tiene un rango en valores que van desde el 0 hasta el 100, siendo 100 el valor "perfecto".



CARACTERÍSTICAS

Clase Energética A+
110-240 V
Temperatura color: Blanco Neutro (4000 K)
IP44 - Indicado para interior y zonas húmedas
Tipo de LED SMD
Tecnología LED integrado de máxima eficiencia
Horas de vida útil 20 000 horas
Ciclos on/off mayor de 20 000
Ángulo de apertura 180°
No Regulable
Materia: Aluminio y ABS cromado
Fácil montaje. Estilo minimalista
3 Opciones de montaje:
a Espejo, a Pared o a Marco



IP44 WATERPROOF



LED DRIVER INTEGRADO

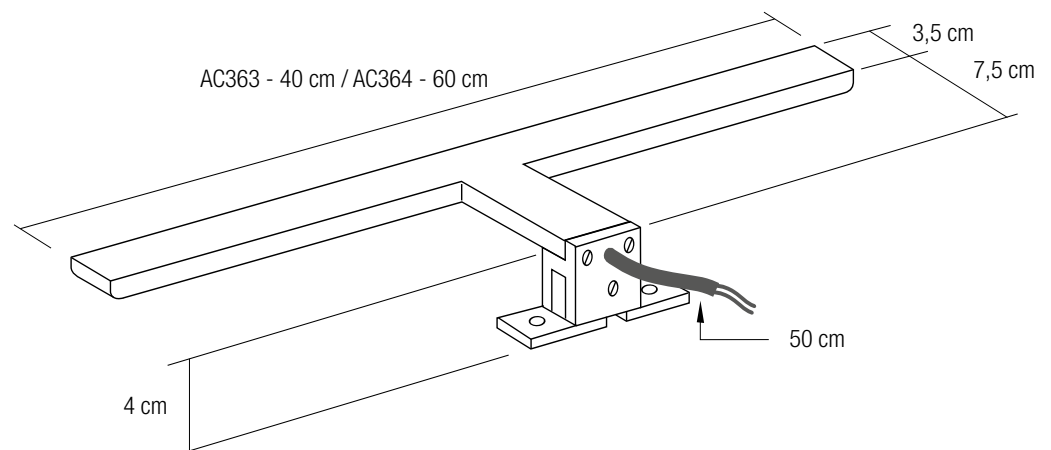
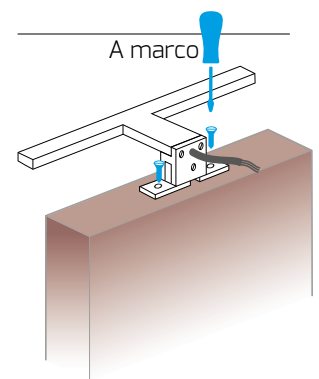
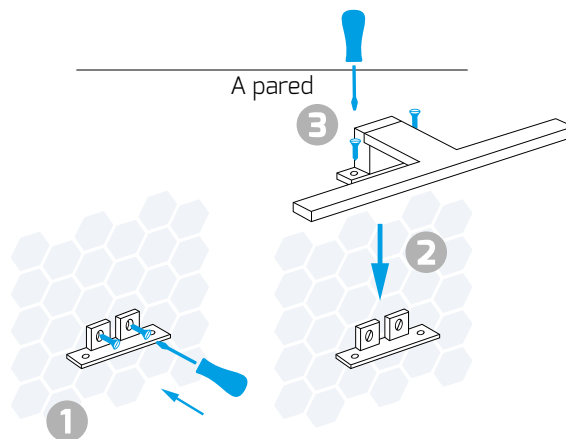
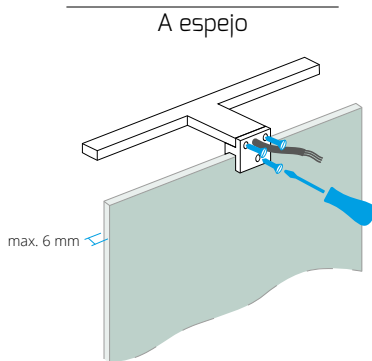


LED SMD / 20000h



APERTURA DE 180°

3 Opciones de montaje:





CERTIFICADOS



CERTIFICADOS

Todos nuestros productos, incluidos sus componentes, han superado los test más exigentes realizados por prestigiosos laboratorios de reconocido crédito.



CERTIFICATE
Of Conformity
EC Council Directive 2014/30/EU

Certificate No.: **SICT19121819AC**

Applicant : **Hangzhou Juhua Electronic Technology Co., Ltd.**
Room 502, Nanshan Park, 1119 Youyi Road, Nanshan, Hangzhou, Zhejiang, China

Manufacturer : **Hangzhou Juhua Electronic Technology Co., Ltd.**
Room 502, Nanshan Park, 1119 Youyi Road, Nanshan, Hangzhou, Zhejiang, China

Product : **The controller**

Test Model : **JD710-1
JD710-2, JD710-3, JD710C, JD710E, JD710F, JD710G**

Test Standard : **EN 55015:2012+A1:2013
EN 61000-3-2:2019
EN 61000-3-2:2019/A1:2019
EN 61547:2009**

The certificate of conformity is based on an evaluation of a sample of the above mentioned product. Technical report is at the applicant's disposal. This is to certify the tested sample that is in conformity with all provisions of above EMC directive. It is only valid in connection with the test report number SICT19121819AC.

The certificate does not imply the assessment of the production and does not permit using the SiCT's logo without permission.

Authorized Signer:
Date: **06/18/2019**

Shenzhen SiCT Technology Co., Ltd.
#1 Building 4, Ecom Industrial District, Tanggou Community, Longhua Subdistrict, Longhua District, Shenzhen, Guangdong, P. R. China.
E-mail: info@si-ct.com Web: www.si-ct.com.cn

Product
Produkt

Prüfbericht-Nr.: **50238615 001** Auftrags-Nr.: **188108002** Seite 1 von 15
Test Report No.: Order No.: Page 1 of 15

Kunden-Referenz-Nr.: **802084** Auftragsdatum: **18. Mai 2019**
Client Reference No.: Order date

Auftraggeber: **Shenzhen Mingyue Optoelectronics Co., Ltd.**
Client: **3-6F, Building 4, Baodaozhou Block, Shancheng Industry Village, Shiyao Community, Shiyao Town, Baoan District, Shenzhen, P. R. China**

Prüfungsausschuss: **LED Strip**
Test item

Bezeichnung / Typ-Nr. **MF0606g-B12LM**
Identification / Type No. **(D, G, H, I, J, K, L, M and N are variables, refer to section 3.1 for details)**

Auftragsinhalt: **TUV Rheinland - EMC service**
Order content

Prüfungsnorm: **EN 55015:2012+A1
EN 61547:2009**
Test specification

Warenübergabedatum: **02 April 2019**
Date of receipt

Prüfnummer-Nr.: **A00090014-006**
Test sample No.: **A00090014-007**

Prüfungsort: **Refer to test report**
Testing period

Ort der Prüfung: **Refer to section 3.1**
Place of testing

Prüflaboratorium: **TÜV Rheinland (Shenzhen) Co., Ltd.**
Testing laboratory

Prüfungsergebnis: **Pass**
Test result

geprüft von / tested by: kontrolliert von / reviewed by:

29.04.2019 Deyin Yang Peter Yao
Senior Project Engineer Chief Test Technician
Date Name Position

Stempel / Stamp: Unterschrift / Signature:

Zustand des Prüfgegenstandes bei Anlieferung: **Prüfgegenstand vollständig und unbeschädigt**
Condition of the test item at delivery: **Test item complete and undamaged**

Übersicht: **1 = original 2 = original 3 = original 4 = original 5 = original 6 = original**
Copy: **1 = original 2 = original 3 = original 4 = original 5 = original 6 = original**

Dieser Prüfbericht bezieht sich nur auf das o.g. Prüfobjekt und darf ohne Genehmigung der Prüfstelle nicht weitergegeben werden. Dieser Bericht benötigt nicht zur Herstellung eines Prüfgegenstandes.
This test report only relates to the o.g. test sample. Without permission of the test center this test report is not permitted to be distributed or copied. This test report does not entitle to carry any test work.

TÜV Rheinland (Shenzhen) Co., Ltd. East F11, F2, F3, Building 1, Cobo Technology Building, No. 8, Guangyuan No. 7 Road, North Huihai Industrial Park, Nanshan District, Shenzhen, P. R. China.
Web: www.tuv.com

Product
Produkt

Prüfbericht-Nr.: **50238472 001** Auftrags-Nr.: **188108003** Seite 1 von 47
Test Report No.: Order No.: Page 1 of 47

Kunden-Referenz-Nr.: **N/A** Auftragsdatum: **2019-03-18**
Client Reference No.: Order date

Auftraggeber: **Shenzhen Mingyue Optoelectronics Co., Ltd.**
Client: **3-6F, Building 4, Baodaozhou Block, Shancheng Industry Village, Shiyao Community, Shiyao Town, Baoan District, Shenzhen, P. R. China**

Prüfungsausschuss: **LED Strip**
Test item

Bezeichnung / Typ-Nr. **See page 13**
Identification / Type No.

Auftragsinhalt: **Type test**
Order content

Prüfungsnorm: **EN 62471:2008
IEC 62471:2008**
Test specification

Warenübergabedatum: **2019-03-18**
Date of receipt

Prüfnummer-Nr.: **A00090014**
Test sample No.

Prüfungsort: **2019-04-10 to 2019-04-15**
Testing period

Ort der Prüfung: **TÜV Rheinland (Shenzhen) Co., Ltd.**
Place of testing

Prüflaboratorium: **TÜV Rheinland (Shenzhen) Co., Ltd.**
Testing laboratory

Prüfungsergebnis: **Pass**
Test result

geprüft von / tested by: kontrolliert von / reviewed by:

2019-04-29 Young Yang Jerry He 2019-04-29 Jerry He
Senior Engineer Senior Engineer Senior Engineer Senior Engineer
Date Name Position Date Name Position

Stempel / Stamp: Unterschrift / Signature:

Zustand des Prüfgegenstandes bei Anlieferung: **Prüfgegenstand vollständig und unbeschädigt**
Condition of the test item at delivery: **Test item complete and undamaged**

Übersicht: **1 = original 2 = original 3 = original 4 = original 5 = original 6 = original**
Copy: **1 = original 2 = original 3 = original 4 = original 5 = original 6 = original**

Dieser Prüfbericht bezieht sich nur auf das o.g. Prüfobjekt und darf ohne Genehmigung der Prüfstelle nicht weitergegeben werden. Dieser Bericht benötigt nicht zur Herstellung eines Prüfgegenstandes.
This test report only relates to the o.g. test sample. Without permission of the test center this test report is not permitted to be distributed or copied. This test report does not entitle to carry any test work.

TÜV Rheinland (Shenzhen) Co., Ltd. East F11, F2, F3, Building 1, Cobo Technology Building, No. 8, Guangyuan No. 7 Road, North Huihai Industrial Park, Nanshan District, Shenzhen, P. R. China.
Web: www.tuv.com

CERTIFICATE
Of Conformity
EC Council Directive 2014/30/EU
Electromagnetic Compatibility

Registration No.: **AE 50435492 0001**

Report No.: **50238615 001**

Holder: **Shenzhen Mingyue Optoelectronics Co., Ltd.**
3-6F, Building 4, Baodaozhou Block, Shancheng Industry Village, Shiyao Community, Shiyao Town, Baoan District, Shenzhen, P. R. China

Product: **LED Strip**
LED Strip

Identification: **Type Designation: MF0606g-B12LM
(D, G, H, I, J, K, L, M and N are variables, refer to report)**
Remarks: Refer to above-listed test report for details.

Tested acc. to: **EN 55015:2012+A1
EN 61547:2009**

This certificate of conformity is based on an evaluation of a sample of the above mentioned product. Technical Report and documentation are at the Licensee's disposal. This is to certify that the tested sample is in conformity with all provisions of Annex 1 of Council Directive 2014/30/EU. This certificate does not imply assessment of the production of the product and does not exempt the use of a TÜV Rheinland mark of conformity. The holder of the certificate is authorized to use this certificate in connection with the EC declaration of conformity according to the a.m. Directive.

Date: **29.04.2019**

TÜV Rheinland LGA Products GmbH · Tillystraße 2 · 90431 Nürnberg
Certification Body Dipl.-Ing. Ulrike S. O. Bönke

CE The CE marking may only be used if relevant and effective EMC Directives are complied with CE

Test Report

Report No.: **EED1000718** Page 1 of 7

Client: **Shenzhen Mingyue Optoelectronics Co., Ltd.**
Address: **3-6F, Building 4, Baodaozhou Block, Shancheng Industrial Village, Shiyao Community, Shiyao Town, Baoan District, Shenzhen, China**

Description of the submitted sample:
Sample Name: **LED Strip**
Model: **MF0606g-B12LM** C, D, E, G, H, I, K, L, M are variable, please refer to page 2 for details

Trade: **-**
Test Item: **EMC**
Standard: **EN 55015, EN 61547**
Name of Sample(s): **Normal**
Sample Quantity: **2pc**
Manufacturer: **Shenzhen Mingyue Optoelectronics Co., Ltd.**

Sample Received Date: **July 18, 2016**
Sample Issued Date: **July 18, 2016**
EN 60754-2:2013 Clause 9.2
Remark: **1. All models have the same construction of resistance to dust, solid objects and moisture, so that MF0606g-B12LM will be chosen to perform the test.
2. The used sample(s) and the sample information are provided by the client.**

Equipment list:

Test Equipment	Equipment Model	Equipment No.	Expiry Date of Calibration
Dist. Tester	RE3110	TT12011108	06/15/2016
Spectrum Analyzer	SA-100	80039107L01004	06/08/2016
Temperature and humidity meter	(7701)	TT12014108	06/13/2017
Stopwatch	TR07	BT12012007	06/24/2017
Test tape	NA	AT12012007	06/22/2016

Test Results: Please refer to the following pages.

Reviewed by: Date: **July 18, 2016**

CTI

Center for Test Technology Co., Ltd. Huihai Industrial Zone, Baoan District, Shenzhen, Guangdong, China

Phone: 0755-27611100 Fax: 0755-27611101 E-mail: info@cti.com.cn Website: www.cti.com.cn Test Report No. EED1000718

intertek
Test Quality Assured

Test Verification of Conformity

Verification Number: 190400272HZH-V1

On the basis of the referenced test report(s), sample(s) tested of the below product have been found to comply with the standard harmonized with the direction listed on this verification at the time the tests were carried out. Other standards and Directives may be relevant to the product. This verification is part of the full test report(s) and should be read in conjunction with it/them.

Once compliance with product relevant **CE** mark directives are verified, including any relevant e.g. risk assessment and production control, the manufacturer may indicate compliance by affixing a Declaration of Conformity (Statement) and applying the mark to product identical to the tested sample(s).

Applicant Name & Address:	Hangzhou Juke Electronic & Technology Co., Ltd. Room 502, Bush Park, 1118 Youyi Road, Xiaoshan District, Hangzhou, Zhejiang, P. R. China
Manufacturing site Name(s) & Address:	Same as the applicant
Product Description:	Electronic converter for LED
Rating & Principle Characteristics:	50/60Hz, Class I, SELV, TC: 65°C, Ta: -25°C ~ 50°C 200V-18V, PWR: 100/240V~, 0.1A, SEC: 12V/6A, Constant voltage type, Max:18W
Model(s)/Type Reference(s):	JD701-18, JD701-30
Brand Name(s):	N/A
Standard(s)/Directive(s):	EN 55015:2013+A1:2015 EN 61547:2009 EN 61000-3-2:2014 EN 61000-3-3:2013 the EMC directive(2014/53/EU)
Verification Issuing Office Name & Address:	Intertek Testing Services Hangzhou 16 No. 1 Ave., Xuefu Economic Development District, Hangzhou, 311033, China
Test Report Number(s):	190400272HZH-V1

Verification Issuing Office Name & Address: Intertek Testing Services Hangzhou, 16 No. 1 Ave., Xuefu Economic Development District, Hangzhou, 311033, China

Test Report Number(s): 190400272HZH-V1

Name: Patrick Chan
Position: Manager
Date: May 21, 2019

Page 1 of 1 07/17-10/17 (February 2018)

intertek
Test Quality Assured

Test Verification of Conformity

Verification Number: 190400274HZH-V1

On the basis of the referenced test report(s), sample(s) tested of the below product have been found to comply with the standard harmonized with the direction listed on this verification at the time the tests were carried out. Other standards and Directives may be relevant to the product. This verification is part of the full test report(s) and should be read in conjunction with it/them.

Once compliance with product relevant **CE** mark directives are verified, including any relevant e.g. risk assessment and production control, the manufacturer may indicate compliance by affixing a Declaration of Conformity (Statement) and applying the mark to products identical to the tested sample(s).

Applicant Name & Address:	Hangzhou Juke Electronic & Technology Co., Ltd. Room 502, Bush Park, 1118 Youyi Road, Xiaoshan District, Hangzhou, Zhejiang, P. R. China
Product Description:	Electronic converter for LED
Rating & Principle Characteristics:	50/60Hz, Class I, SELV, TC: 65°C, Ta: -25°C ~ 50°C 200V-18V, PWR: 100/240V~, 0.1A, SEC: 12V/6A, Constant voltage type, Max:30W
Model(s)/Type Reference(s):	JD701-18, JD701-30
Brand Name(s):	/
Standard(s)/Directive(s):	EN 55015:2013+A1:2015 EN 61547:2009 EN 61000-3-2:2014 EN 61000-3-3:2013 the EMC directive(2014/53/EU)
Verification Issuing Office Name & Address:	Intertek Testing Services Hangzhou 16 No. 1 Ave., Xuefu Economic Development District, Hangzhou, 311033, China
Test Report Number(s):	190400274HZH-V1

Verification Issuing Office Name & Address: Intertek Testing Services Hangzhou, 16 No. 1 Ave., Xuefu Economic Development District, Hangzhou, 311033, China

Test Report Number(s): 190400274HZH-V1

Name: Leo Ye
Position: Manager
Date: 6 June 2019

Page 1 of 1 07/17-10/17 (February 2018)

Shenzhen ZKT Technology Co., Ltd.
1/F, No. 101, Building B, No. 6, Tangmou Community Industrial Avenue, Futian Street, Baotian District, Shenzhen, China

Certificate of Compliance

Certificate Number: ZKT-2106232819C

Certificate's Holder	Hangzhou Juke Electronic Technology Co., Ltd. Room 502, 1119 Youyi Road, Xiaoshan, Hangzhou, Zhejiang
Manufacturer	Hangzhou Juke Electronic Technology Co., Ltd. Room 502, 1119 Youyi Road, Xiaoshan, Hangzhou, Zhejiang
Trade Mark	N/A
Product	LED Power Driver
Model(s)	JD701-12W
Test Standard	EN 55015:2013+A1:2020 EN 61547:2009 EN 61000-3-2:2014, EN 61000-3-3:2013+A1:2019 EN 61000-4-2:2009, EN 61000-4-3:2020, EN 61000-4-4:2012, EN 61000-4-5:2014+A1:2017, EN 61000-6-6:2014, EN 61000-6-8:2016, EN 61000-4-11:2020

This Attestation of Compliance is issued on a voluntary basis for electrical equipment below the voltage limits of EMC Directive 2014/53/EU. The essential requirements are fulfilled accordingly based on the technical specifications applicable at the time of issuance. See also notes quoted. It is only valid in connection with the test report number: ZKT-2106232819C.

CE 

This Certificate of Compliance is based on single evaluation of the submitted sample(s) of the above mentioned product. It does not imply an assessment of the whole product and relevant Directives to be observed.
☎ +86-200-500-9870 ☎ +86-755-2333-6588 info@intertek.com www.intertek.com

TÜV Rheinland

Zertifikat der Konformität

Prüferkenn-Nr. / Test report Product	IN20750M 001	Auftrags-Nr. / Order no.	19320623	Seite 1 von 28 / Page 1 of 28
Kunden-Referenz-Nr. / Client reference no.	N/A	Auftragsdatum / Order date	03-09-2020	
Auftraggeber / Client	Shenzhen Mingxue Optoelectronics Co., Ltd. 3/F, Building 4, Baoqizhou Block Shancheng Industry Village, Shilin Community, Shiyuan Town, Baoan District Shenzhen, Guangdong, P.R. China			
Prüfgegenstand / Test item	LED Strip			
Bezeichnung / Typen-Identifikation / Type no.	MF4000-080A150a, b, c, d, e and f and variants.)			
Auftragsinhalt / Order content	AK License			
Prüfungsnormen / Test specification	EN IEC 62015:2020 EN 62493:2015			
Warenempfangdatum / Date of sample receipt	03-09-2020			
Prüferkenn-Nr. / Test sample no.	A02920431			
Prüfzeitraum / Testing period	12-10-2020 to 23-10-2020			See photo document.
Ort der Prüfung / Place of testing	TÜV Rheinland			
Prüflaboratorium / Testing laboratory	TÜV Rheinland (Shenzhen) Co., Ltd.			
Prüfungsergebnis / Test result	Pass			
geprüft von / Issued by		genehmigt von / authorized by		
Datum / Date	2020-11-02	Ausgabedatum / Issue date	2020-11-02	
Stellung / Position	PE	Stellung / Position	PE	
Sonstiges / Other: This report is for issuing AK License for LED Strip mentioned above.				

Zustand des Prüfgegenstandes bei Anlieferung: Prüfzettel vollständig und unbeschädigt
Condition of the test object at delivery: Test sheet complete and undamaged

Bevor Ihr Produkt in den Verkehr gebracht wird, ist es wichtig, dass Sie die folgenden Punkte beachten:
Before your product is put into circulation, it is important that you pay attention to the following points:
This test report only relates to the 2 x 1 m test sample. Without permission of the test center this test report is not permitted to be duplicated or copied. This test report does not entitle to any other test data.

TÜV Rheinland (Shenzhen) Co., Ltd. 1001 P.O. Box, 1002, 1003, 1004, 1005, 1006, 1007, 1008, 1009, 1010, Building 1, Tangmou Community Industrial Avenue, Futian Street, Baotian District, Shenzhen, Guangdong, P.R. China.
Mail: szservice@tuv.com Web: www.tuv.com

CERTIFICATE of Conformity
TÜV Rheinland

Registration No.: AK 50484957 0001
Report No.: NN20750M 001

Holder: Shenzhen Mingxue Optoelectronics Co., Ltd.
3/F, Building 4, Baoqizhou Block Shancheng Industry Village, Shilin Community, Shiyuan Town, Baoan District Shenzhen Guangdong P.R. China

Product: LED Module
LED Strip

Identification: Type description: MF4000-080A150a (for details of verification A, B, C, D, E and F, refer to test report I 001)
Serial No.: s.n.a.
Remarks: Refer to test report 1902750M 001 for details.

Tested acc. to: EN IEC 62015:2020
EN 62493:2015

The certificate of conformity refers to the above mentioned product. This is to verify that its specimen is in conformity with the assessment requirement mentioned above. This certificate does not imply assessment of the production of the product and does not permit the use of a TÜV Rheinland mark of conformity.

Date: 04.11.2020

Dipl.-Ing. / Mr. S. O. Skarke

TÜV Rheinland LGA Products GmbH · Tillystraße 2 · 90431 Nürnberg

**ACCESORIOS
de BANO
COMPLEMENTOS
y MUCHO
MÁS...**



Accesorios de Baño



Forma Baño S.L.

Pol. Ind. Calle 6, nº 32

46220 Picassent - Valencia - Spain

Telf. +34 961 241 432

Fax: +34 961 241 799

pyp@pyp.es

www.pyp.es